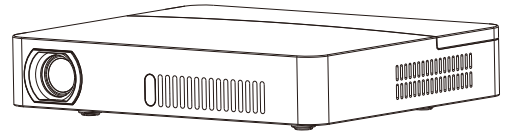


# INSTRUCTION MANUAL

Mini Projector



## contents

1. Projector Overview .....	1
2. Specifications.....	3
3. Remote Control.....	5
4. Powering on/off.....	6
5. Focusing .....	7
6. Signal source selection .....	7
7. Using the USB Interface.....	8
8. Using the HDMI Interface.....	9
9. Menu Settings .....	10
10. How to Charge.....	11
11. Safety instruction.....	12
12. Warranty card.....	13

## 12. Warranty card

Name/Company: \_\_\_\_\_

Telephone: \_\_\_\_\_

Address: \_\_\_\_\_

Fax No.: \_\_\_\_\_

Product Purchased: \_\_\_\_\_

Model No.: \_\_\_\_\_

Series No.: \_\_\_\_\_

Dealer Name: \_\_\_\_\_

Date of Purchase: \_\_\_\_\_

Invoice No.: \_\_\_\_\_

Customer need to keep this warranty card.

Thank you for purchasing the projector.

From date of purchased, we offer one year warranty on projector and 6 months warranty on the bulb.

When you need to fix, please return the defective product, completed warranty card and original invoice to the address indicated on the warranty card.

## 11. Safety instruction

### Installation

- To get the better watching, please use this projector while draw the curtain or in dark room.
- Please use this projector carefully, dropping or crash may damage parts or result in blurred image, abnormal displaying.

### Power

- Be careful while using the power cord, avoid to excessive bending; the damage of power cable may cause electric shock and fire.
- It is better to unplug the power cord after power off.

### Cleaning

- Unplug the power cable first.
- Clean the shell regularly with a damp cloth, neutral detergent can be used.
- Please use a glasses cloth or lens paper, not to scratch the lens.
- Please clean projector's vents and speakers regularly by banister brush, or the vents will be blocked.

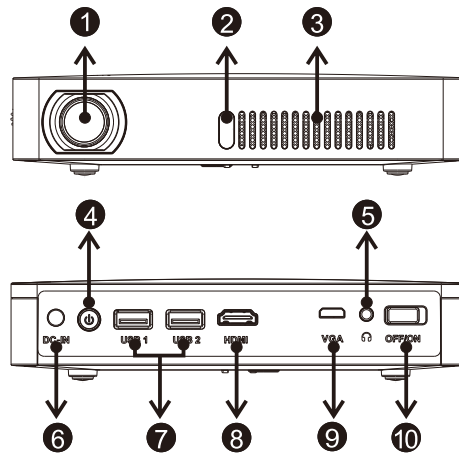
### High temperature attention

- While projection or just finish, near the exhaust port will be very hot, may be scald if touch it.
- While projection, please do not look the lens directly, or may hurt eyes.

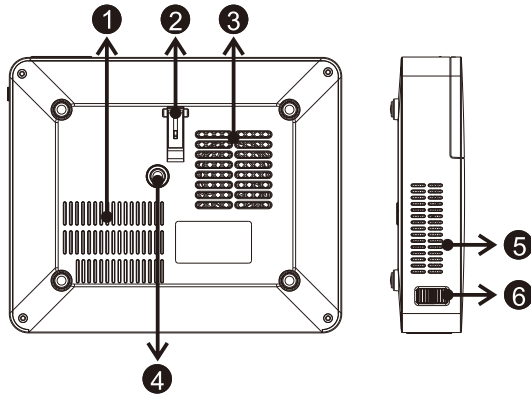
### \*Warm tips

- Do not disassemble the projector, with a risk of electric shock, also affect the normal warranty.
- Please do not put any liquid or heavy stuff on the projector.
- To assure the stability of heat dissipate, please open the height bracket in the bottom before starting.

## 1. Projector Overview



1. Projector lens
2. IR remote sensor
3. Ventilation slots
4. Power on/off
5. AUX cord jack (Earphone jack)
6. DC-IN terminal
7. USB port
8. HDMI port
9. Computer port
10. Master Switch



- |                              |                      |
|------------------------------|----------------------|
| 1. Battery ventilation holes | 4. Stand hole(M5)    |
| 2. Height bracket            | 5. Ventilation slots |
| 3. Air intake hole           | 6. Focus ring        |

**Warning tips:** It's strictly prohibited to block the air intake window, this may cause over heating and damage the projector.

## 10. How to Charge

1. To Charge when projector is off: When the projector is connected with the power adapter, put the switch in the "OFF" position, it means it is charging.

2. To charge when the projector is off: When the projector is connected with the power adapter, put the switch in the "ON" position, and press the switch, the charging icon will be displayed on the upper right of the main interface, it means it is charging.

### Tips:

- \* Please charge the battery with the original power adapter;
- \* The product only be suitable for a non high temperature environment;
- \* When it is charging, do not block the battery cooling holes;
- \* Please don't stab or crash the battery when it is charging;
- \* Do not get the battery wet.

**Attention:** This function is only for projector with battery.

## 9. Menu Settings



Please press “Menu” key into the Menu, and press the “< >” to choose Sub menu, then select “OK”.

### **Sub Menu function:**

#### **Drop shadow settings:**

Gyro Horizon Done / Auto Keystone / Manual Keystone / Mounting / Color Temp / Brightness Mode / Battery Info / Desk Mode / Software update.

#### **Picture Menu:**

Picture Mode / Color Temperature / Aspect Ratio / Noise Reduction / PC Setup

#### **Sound Menu:**

Sound Mode / Balance / Auto Volume / Surround / Sound / EQ

#### **Time Menu:**

Sleep timer / Auto time

#### **System settings:**

OSD Language / Restore Factory Default / HDMI Mode / Blending / OSD Duration

## 2. Specifications

### **Physical Parameters**

---

Projection size: 20-280 inch

---

Throw ratio: 1.47:1

---

Offset:100%

---

Keystone: Electronical adjusting $\pm 40^\circ$

---

Focus mode: manual focus

---

Battery: Li-ion style

---

Battery time: about 120 minutes

---

Battery capacity: 10,000 mAh

---

Power adapter: DC19V/3.42A

---

Power: 45W

---

Speaker: 2W\*2

---

Size: 175\*145\*31mm

---

N.W.: 600g

---

## Optical Parameters

Display chip: 0.3" DMD RGB-LED

Lens: High light transmittance coating glasses

Brightness uniformity: 98%

Brightness:1600 lumens(international standard 350 ANSI Lumens)

Contrast ratio: 1000:1

NTSC: ≥120%

Resolution: 1280×720

## Physical interface

DC power jack x1

USB 2.0 x2

HDMI x1

VGA x1

3.5mm earphone jack x1

## Accessories

User Manual x1

Power Adapter x1

Power Cable x1

Remote Control x1

## 8. Using the HDMI Interface

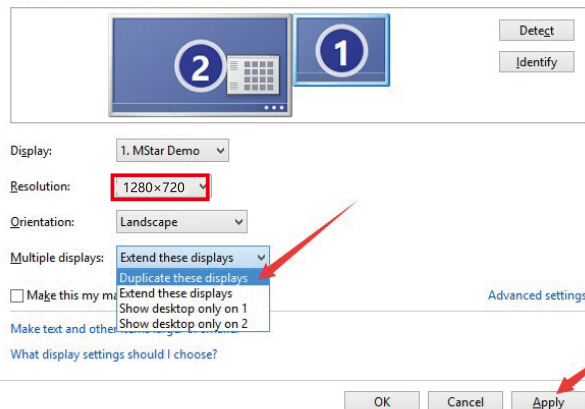
Please select the HDMI, the projector could connect with DVD player, Game box, HDD player etc.

### Connecting to PC

**Step1:** Connect projector and device with HDMI cable.

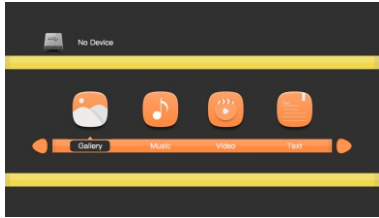
**Step2:** Press the main interface on the remote control, the main screen appears, press the "Muti Media", select the "HDMI".

**Tips:** Adjust the PC display resolution to about "1280×720".



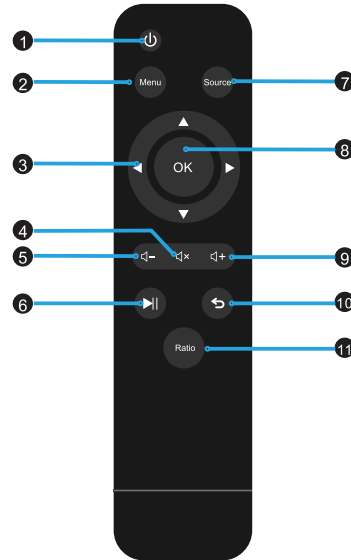
## 7. Using the USB Interface

USB disk connected to the projector, please select the USB1&2, then you could read the picture , audio , video , text. ( like the picture for what you see)



Supported File Formats	
Picture Format	JPEG / BMP / PNG
Audio Format	MP3 / AAC / M4A
Video Format	MP4 / MKV / VOB / WMV / RM / RMVB
TEXT Format	TXT

## 3. Remote Control



1. Power
2. Menu
3. Arrow keys
4. Mute
5. Volume Down
6. Play / Pause
7. Source
8. OK
9. Volume Up
10. Exit
11. Ratio

## 4. Powering on/off

### Powering ON

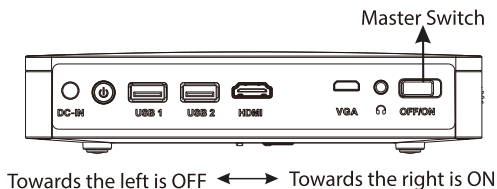
**Step1:** Plug the DC terminal of the power adaptor into DC-IN terminal of projector

**Step2:** Move the master switch right to "ON." When the red indicator light is on, press the power key.

### Powering OFF

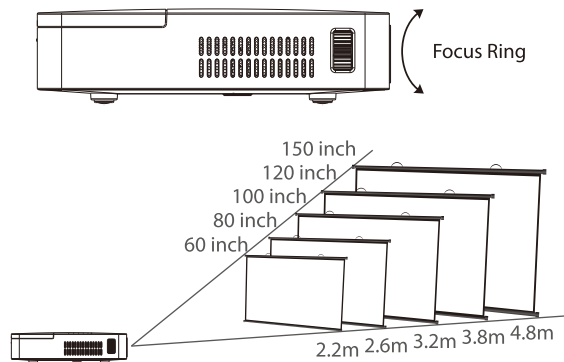
**Step1:** Press the power key, if the indicator light turns from green to red, the projector is off.

**Step2:** When the projector is off, return the master switch to the off position. Failure to do so may result in the projector turning on while in transit resulting in electrical fires.



## 5. Focusing

Adjust the focus up or down lightly until the image is clear.



## 6. Signal source selection

Press the "source" on the remote control, it will show the menu for us. Then select the source what you want.



HDMI



PC RGB



USB 1



USB 2